

iSlate

Metrotile[®]
worldwide roofing systems

The attractive appearance of a natural slate

With its finely detailed surface and vertical grooves, the iSlate resembles very closely natural slate, but easier and faster to install.



WIND



HAIL



FREEZE/THAW



ENERGY



LIGHTNING



IMPENETRABLE



EARTHQUAKE



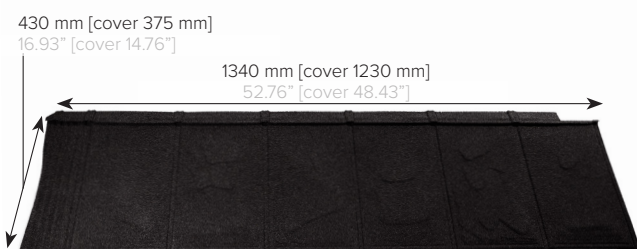
FIRE

www.metrotile.eu

iSlate

Formed from the highest quality steel and protective coatings, the panel is incredibly strong, lightweight and weather resistant.

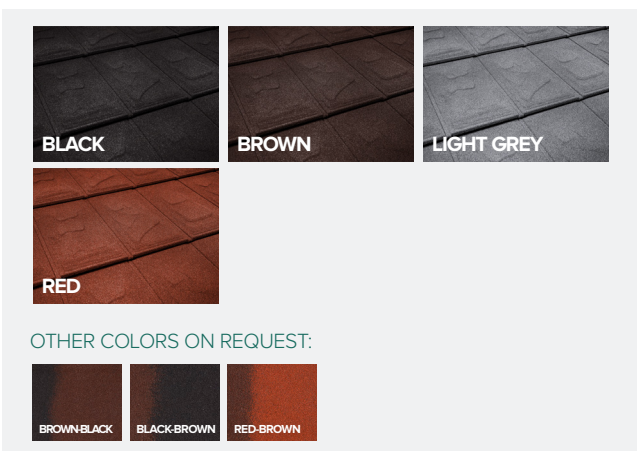
SPECIFICATIONS



Minimum pitch	10°	2/12
Maximum pitch	90°	vertical
Size - overall*	1340 x 430 mm	52.76" x 16.93"
Size - cover*	1230 x 375 mm	48.43" x 14.76"
Gauge of steel**	0,45 mm	26 gauge
Linear cover width*	1230 mm	48.43"
Cover*	2,17 pc/m ²	20.14 pc/square
Cover of a panel*	0,46 m ²	4.96 ft ²
Weight per panel*	3,29 kg	7.26 lb

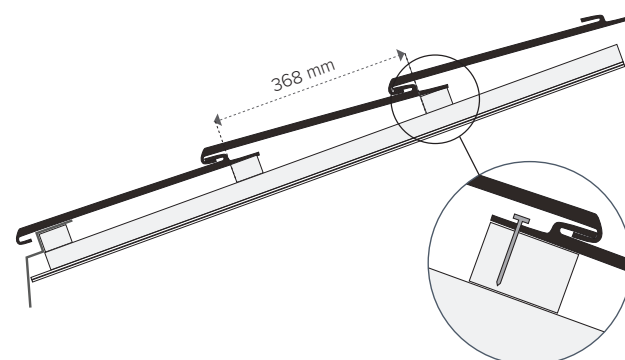
* With a tolerance of ± 3 mm on measurements and minimal tolerance in weight.
** Steel thickness according to the EN 10346.

COLORS



INSTALLATION

The iPanel is installed from left to right and from bottom to top.



The panels are placed onto deck or battens spaced 14.5" or 368 mm.

The panels are simply connected by the use of an interlocking groove that creates a strong, weatherproof and overlapping assembly. They are fixed onto the framework, before interlocking the panel above, so that no nail or screw heads are visible after the panels are assembled.

ACCESSORIES

We offer a broad range of accessories.

- Ridges, junctions and end caps.
Offered in angled, squared and curved profiles.
- Fascia, sidewall and headwall transition flashings.
- Ventilation systems.
- Installation Equipment: nails, benders, guillotines.
It is important to use tools recommended by us.

For a complete and detailed list of accessories and more information regarding the installation of a iPanel roof, contact your dealer.